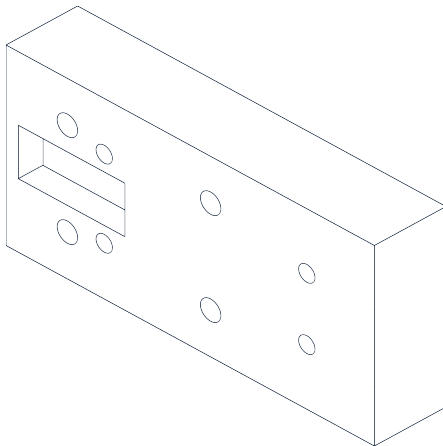
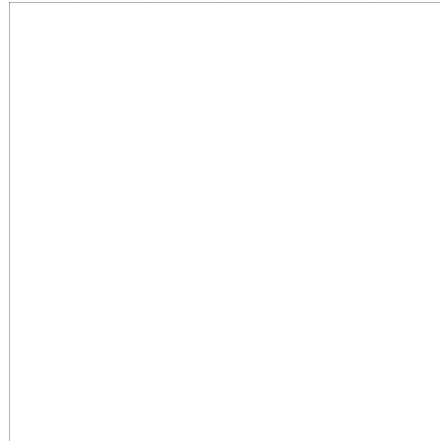
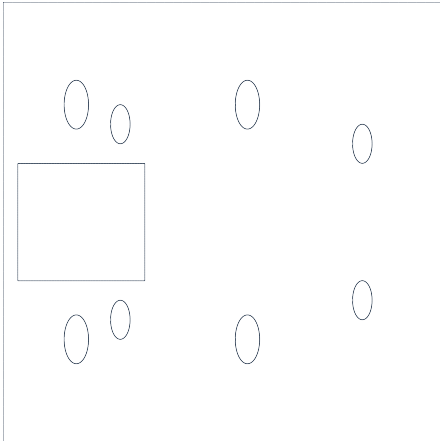


# Synthetic Review Drawing Stub

<b>Part</b>	Product inserter pusher sled
<b>Revision</b>	B
<b>Pilot</b>	WEBASTO
<b>Material</b>	Al 6082-T6

## Views



## Key Dimensions

Dimension	Value
Key	180 x 90 x 35 mm
Key	Thickness changes from 30 to 35 mm
Key	Pusher holes move by 5 mm

## Revision Summary

- Increase the body thickness from 30 mm to 35 mm.
- Add dowel locations for repeatable pusher mounting.
- Shift the pusher-hole pattern by 5 mm and add a cable-relief notch.

## Notes

- Synthetic pusher-sled review package.
- Revision B captures a stiffness increase and hole-pattern shift.

Synthetic review artifact for RapidDraft demos only. Not a releaseable manufacturing drawing.