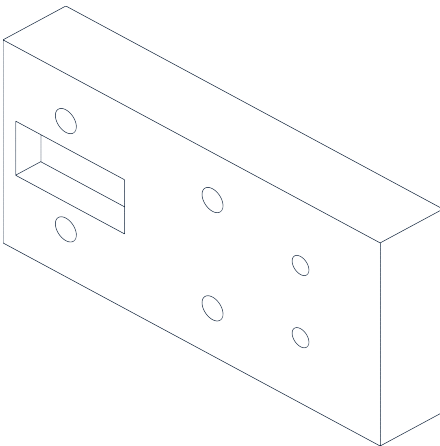
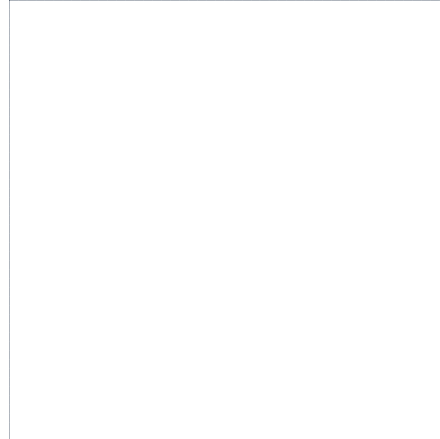
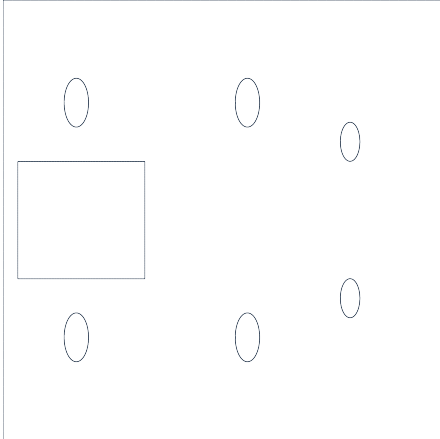


Synthetic Review Drawing Stub

Part	Product inserter pusher sled
Revision	A
Pilot	WEBASTO
Material	Al 6082-T6

Views



Key Dimensions

Dimension	Value
Key	180 x 90 x 35 mm
Key	Thickness changes from 30 to 35 mm
Key	Pusher holes move by 5 mm

Revision Summary

- Baseline synthetic geometry for revision-diff demos.

Notes

- Synthetic pusher-sled review package.
- Revision B captures a stiffness increase and hole-pattern shift.

Synthetic review artifact for RapidDraft demos only. Not a releaseable manufacturing drawing.