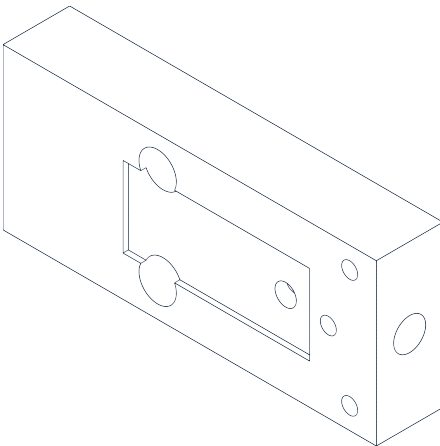
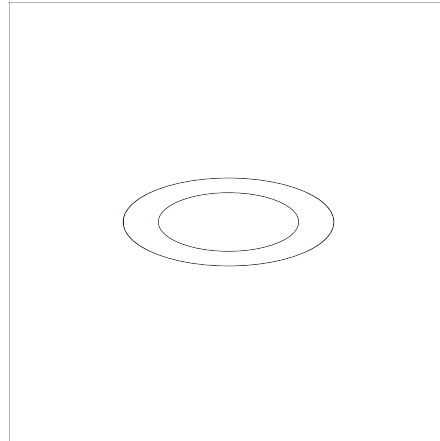
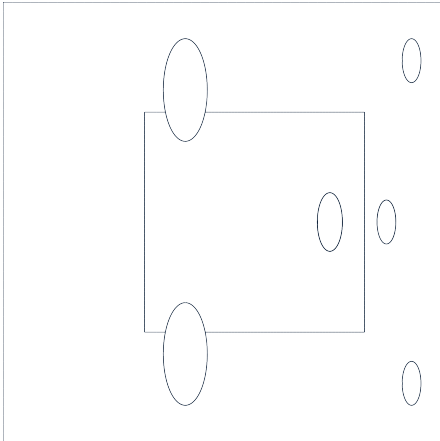


Synthetic Review Drawing Stub

Part	Vacuum manifold block for suction head
Revision	B
Pilot	WEBASTO
Material	Al 6082-T6

Views



Key Dimensions

Dimension	Value
Key	140 x 60 x 25 mm
Key	Moved port by 8 mm in Rev B
Key	Added sensor port and sealing feature

Revision Summary

- Move one vacuum port by 8 mm for hose and sensor clearance.
- Add a new sensor port on the top face.
- Refine the sealing-face groove on the manifold top surface.

Notes

- Synthetic manifold review package.
- Revision B captures port relocation and sealing-face revision logic.

Synthetic review artifact for RapidDraft demos only. Not a releaseable manufacturing drawing.