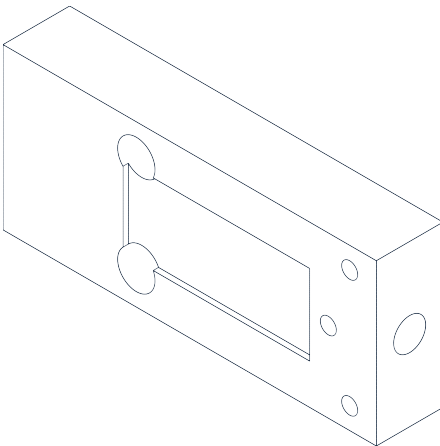
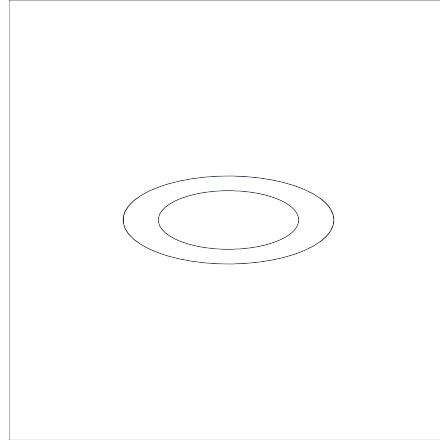
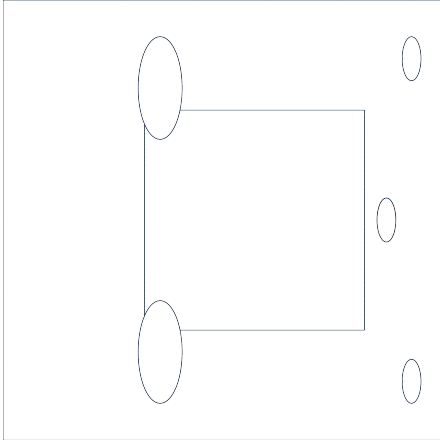


# Synthetic Review Drawing Stub

|                 |  |
|-----------------|--|
| <b>Part</b>     | Vacuum manifold block for suction head |
| <b>Revision</b> | A                                      |
| <b>Pilot</b>    | WEBASTO                                |
| <b>Material</b> | Al 6082-T6                             |

## Views



## Key Dimensions

| Dimension | Value                                 |
|-----------|---------------------------------------|
| Key       | 140 x 60 x 25 mm                      |
| Key       | Moved port by 8 mm in Rev B           |
| Key       | Added sensor port and sealing feature |

## Revision Summary

- Baseline synthetic geometry for revision-diff demos.

## Notes

- Synthetic manifold review package.
- Revision B captures port relocation and sealing-face revision logic.

Synthetic review artifact for RapidDraft demos only. Not a releaseable manufacturing drawing.