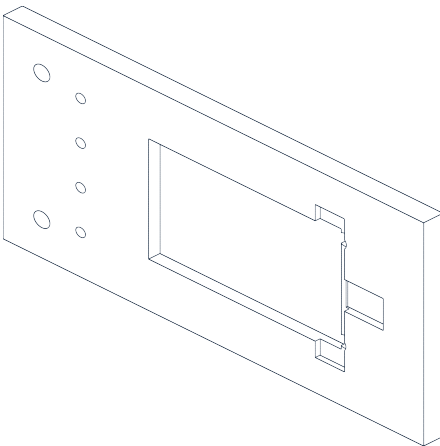
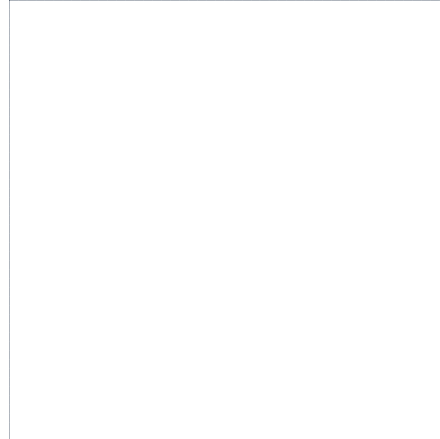
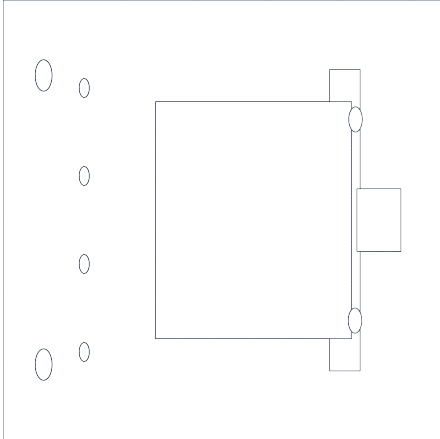


# Synthetic Review Drawing Stub

<b>Part</b>	Lug-chain carton pocket side plate
<b>Revision</b>	B
<b>Pilot</b>	WEBASTO
<b>Material</b>	Al 7075-T6

## Views



## Key Dimensions

Dimension	Value
Key	260 x 140 x 12 mm
Key	Pocket widened by about 1.5 mm in Rev B
Key	One dowel shifts by about 0.3 mm

## Revision Summary

- Widen the carton pocket by 1.5 mm.
- Shift one dowel hole by 0.3 mm for repeatability tuning.
- Add a small lead-in relief at the pocket entry.

## Notes

- Synthetic lug-chain pocket side-plate package.
- Revision B captures a jam-reduction pocket change with a repeatability tweak.

Synthetic review artifact for RapidDraft demos only. Not a releaseable manufacturing drawing.