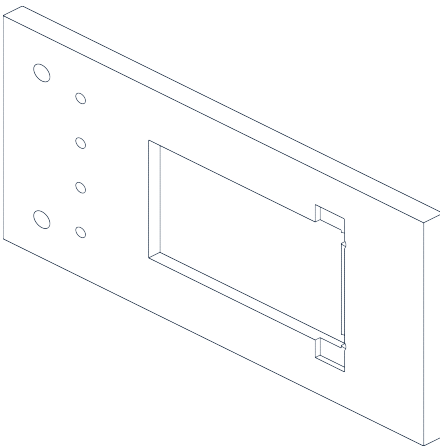
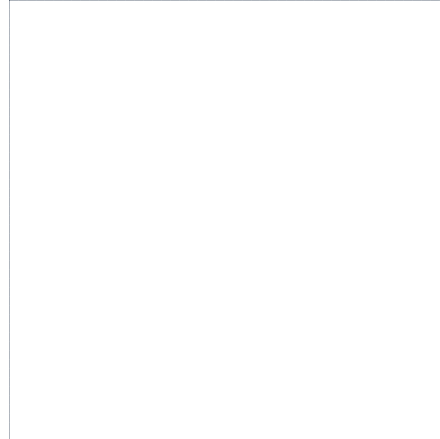
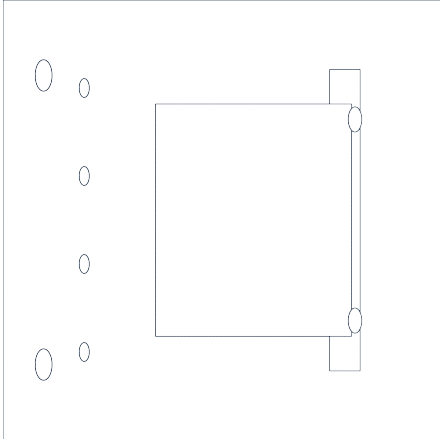


Synthetic Review Drawing Stub

Part	Lug-chain carton pocket side plate
Revision	A
Pilot	WEBASTO
Material	Al 7075-T6

Views



Key Dimensions

Dimension	Value
Key	260 x 140 x 12 mm
Key	Pocket widened by about 1.5 mm in Rev B
Key	One dowel shifts by about 0.3 mm

Revision Summary

- Baseline synthetic geometry for revision-diff demos.

Notes

- Synthetic lug-chain pocket side-plate package.
- Revision B captures a jam-reduction pocket change with a repeatability tweak.

Synthetic review artifact for RapidDraft demos only. Not a releaseable manufacturing drawing.