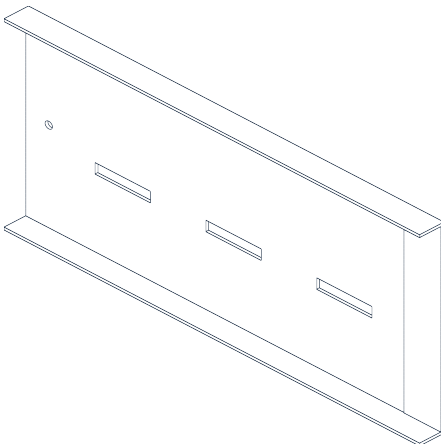
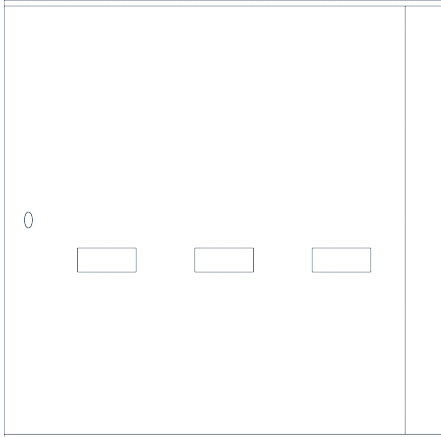


# Synthetic Review Drawing Stub

<b>Part</b>	Adjustable carton magazine side guide plate
<b>Revision</b>	A
<b>Pilot</b>	WEBASTO
<b>Material</b>	Stainless steel

## Views



## Key Dimensions

Dimension	Value
Key	450 x 220 x 3 mm
Key	Flange height about 25 mm
Key	Slots extend by about 20 mm in Rev B

## Revision Summary

- Baseline synthetic geometry for revision-diff demos.

## Notes

- Synthetic magazine side-guide review package.
- Revision B captures broader changeover travel with local reinforcement.

Synthetic review artifact for RapidDraft demos only. Not a releaseable manufacturing drawing.