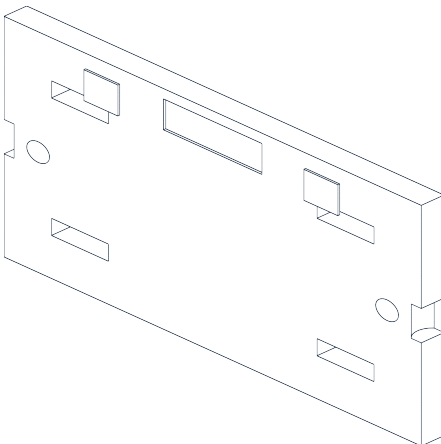
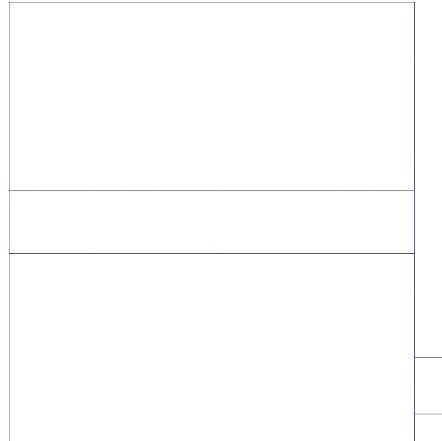
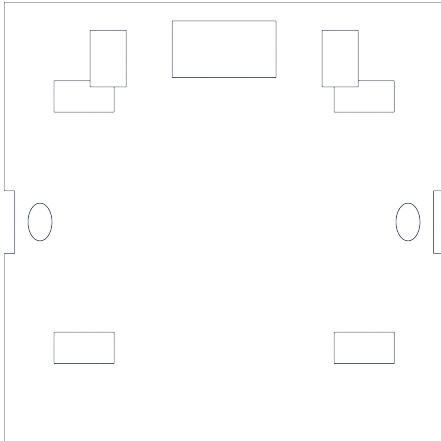


Synthetic Review Drawing Stub

Part	QuickChange locating adapter plate
Revision	B
Pilot	SOMIC
Material	Anodized Al 6082-T6

Views



Key Dimensions

Dimension	Value
Key	220 x 140 x 12 mm
Key	Clamping slots 10 x 30 mm
Key	Locating dowels $\varnothing 8$ H7

Revision Summary

- Add a second locating dowel to improve repeatability.
- Shorten the clamping slots to tighten setup tolerance.
- Retain the same machine envelope so the change reads as a real format-release update.

Notes

- Synthetic QuickChange release stub for RapidDraft review demos.
- Revision B represents a tighter no-tweaking format-change package.

Synthetic review artifact for RapidDraft demos only. Not a releaseable manufacturing drawing.