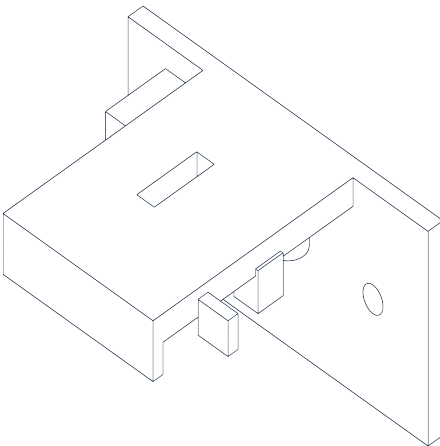
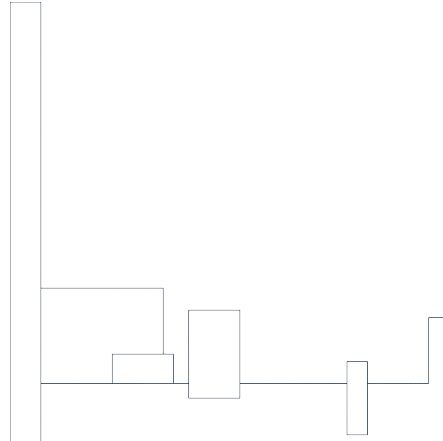
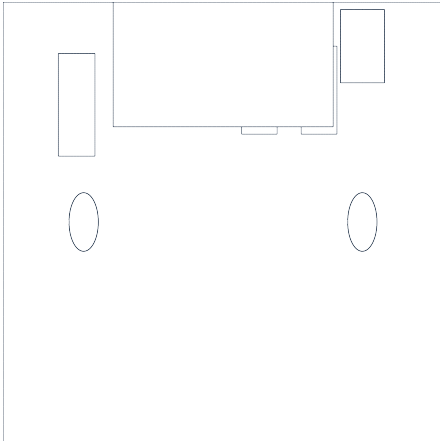


Synthetic Review Drawing Stub

Part	Hot-melt glue nozzle mount bracket
Revision	A
Pilot	SOMIC
Material	Stainless 304

Views



Key Dimensions

Dimension	Value
Key	Base 120 x 60 x 6 mm
Key	Upright height about 80 mm
Key	Micro-adjust slot 7 x 20 mm

Revision Summary

- Baseline synthetic geometry for revision-diff demos.

Notes

- Synthetic glue-positioning bracket review package.
- Revision B captures a vibration-driven reinforcement change.

Synthetic review artifact for RapidDraft demos only. Not a releaseable manufacturing drawing.