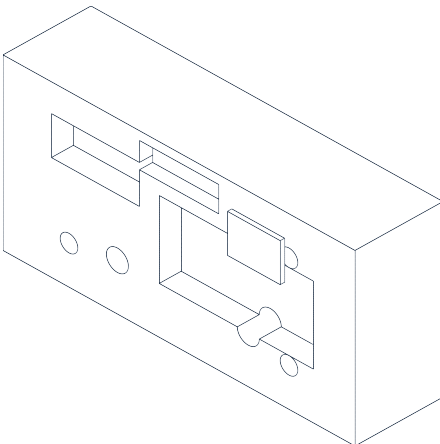
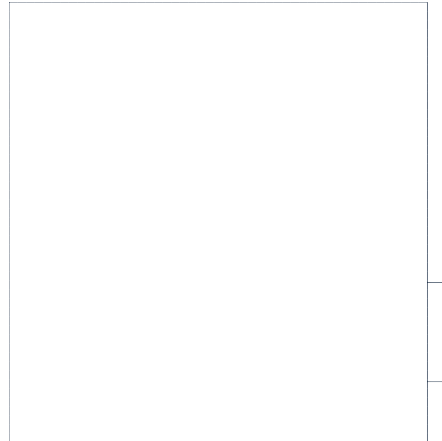
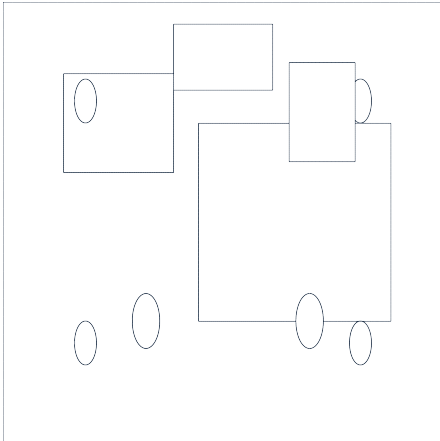


# Synthetic Review Drawing Stub

<b>Part</b>	Folding die block
<b>Revision</b>	B
<b>Pilot</b>	SOMIC
<b>Material</b>	Tool steel 1.2379

## Views



## Key Dimensions

Dimension	Value
Key	160 x 80 x 40 mm
Key	2 x Ø10 dowels
Key	4 x M8 mounting features

## Revision Summary

- Move one locating dowel by 1.5 mm to correct erection squareness.
- Update the top datum pad to reflect the corrected setup condition.
- Keep the overall block size stable so the revision reads as a tooling correction.

## Notes

- Synthetic folding-tool correction package.
- Revision B captures a small but high-consequence datum change.

Synthetic review artifact for RapidDraft demos only. Not a releaseable manufacturing drawing.