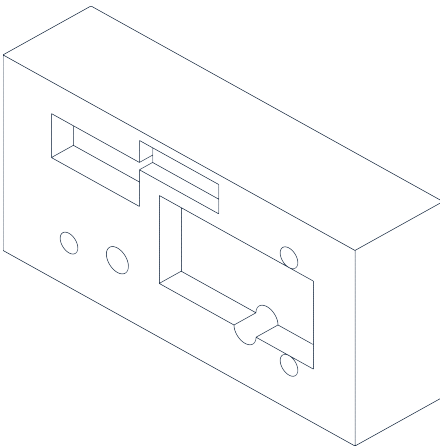
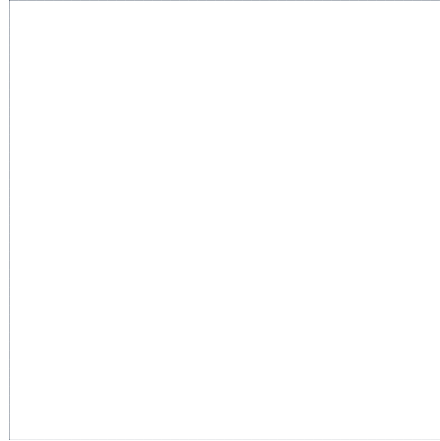
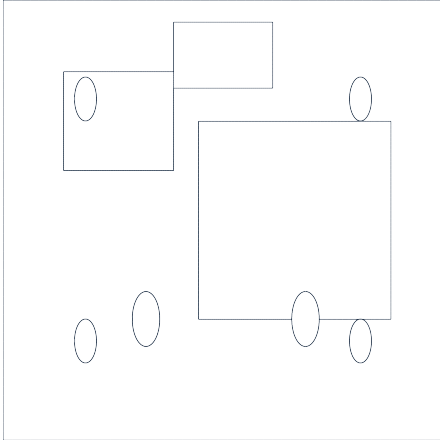


Synthetic Review Drawing Stub

Part	Folding die block
Revision	A
Pilot	SOMIC
Material	Tool steel 1.2379

Views



Key Dimensions

Dimension	Value
Key	160 x 80 x 40 mm
Key	2 x Ø10 dowels
Key	4 x M8 mounting features

Revision Summary

- Baseline synthetic geometry for revision-diff demos.

Notes

- Synthetic folding-tool correction package.
- Revision B captures a small but high-consequence datum change.

Synthetic review artifact for RapidDraft demos only. Not a releaseable manufacturing drawing.